



# Selex ES

A Finmeccanica Company



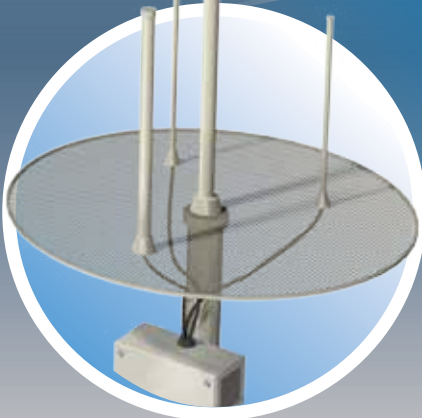
ELECTRO-OPTICAL  
SURVEILLANCE



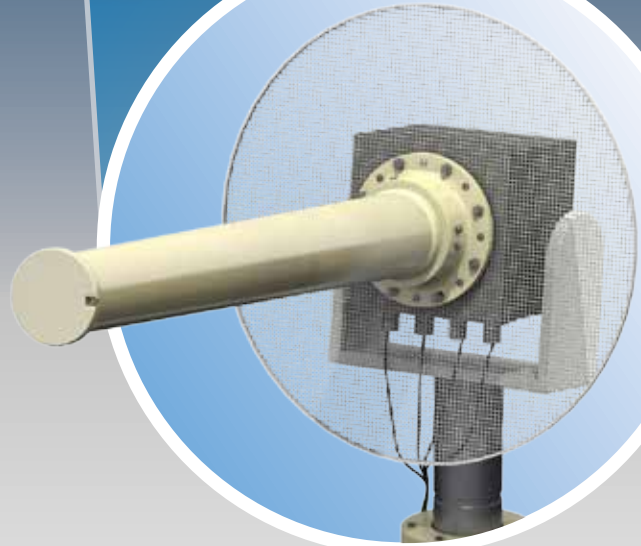
RADAR



COMMAND &  
CONTROL SUITE



ELECTRONIC SURVEILLANCE AND  
RF THREAT MANAGEMENT



## FALCON SHIELD Counter UAV System

### Find

Multiple sensor solutions combine to allow Falcon Shield to detect both unmanned aerial vehicles (UAVs) and their control stations.

### Fix

Through a fusion of sensor feeds into the Command & Control suite, Falcon Shield is able to accurately geo-locate the UAV and its ground control station.

### Track

All Falcon Shield sensors work together to track low, slow and small UAVs.

### Identify

Falcon Shield enables an operator to identify the threat via high definition electro-optical/infrared imagery and RF emissions.

### Defeat

Utilising a range of effects, Falcon Shield is able to disrupt, deny or defeat the threat posed by rogue UAVs.